



LUMINAIRE TESTING LABORATORY, INC.

SUSTAINING
MEMBER
of the
IESNA

905 Harrison Street · Allentown, PA 18103 · 610-770-1044 · Fax 610-770-8912 · www.LuminaireTesting.com

LTL NUMBER: 08671

DATE: 01-31-2005

PREPARED FOR: LIGHTWINGS

CATALOG NUMBER: WI-4-4-T5-EB2/2-N

LUMINAIRE: FORMED STEEL HOUSING, FORMED SPECULAR ALUMINUM REFLECTOR,
NO ENCLOSURE.

LAMPS: FOUR HORIZONTAL 54 WATT HIGH OUTPUT T5 LINEAR FLUORESCENT LAMPS
RATED AT 4400 LUMENS EACH.

LAMP CATALOG NUMBER: GE F54/840

BALLASTS: TWO ANTRON ELECTRONICS ESD-A54T5

MOUNTING: PENDANT

LUMEN TO CANDELA RATIO USED = 9.18

TOTAL INPUT WATTS = 221.6 AT 120.0 VOLTS

THE 0 DEGREE PLANE IS PARALLEL WITH THE LAMPS.

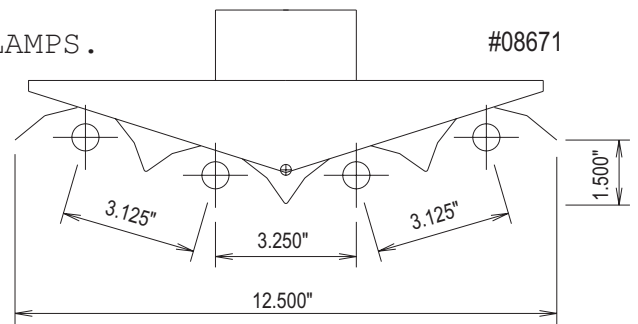
#08671

CANDELA DISTRIBUTION

	0.0	22.5	45.0	67.5	90.0
0	6922	6922	6922	6922	6922
5	6887	6842	6791	6736	6704
15	6626	6407	6152	5938	5865
25	6106	5678	5306	5233	5191
35	5360	4740	4550	4285	4202
45	4409	3799	3472	3321	3166
55	3335	2797	2420	2302	2281
65	2176	1724	1546	1623	1638
75	1051	796	916	1051	1114
85	156	305	481	609	658
90	4	123	267	378	416
95	1	11	69	151	185
105	3	4	0	0	0
115	6	2	0	0	0
125	7	1	0	0	0
135	3	1	0	0	0
145	0	0	0	0	0
155	0	0	0	0	0
165	0	0	0	0	0
175	0	0	0	0	0
180	0	0	0	0	0

FLUX

0	642
5	1743
15	2519
25	2877
35	2769
45	2311
55	1690
65	1031
75	496
85	101
90	2
95	1
105	1
115	1
125	0
135	0
145	0
155	0
165	0
175	0
180	0

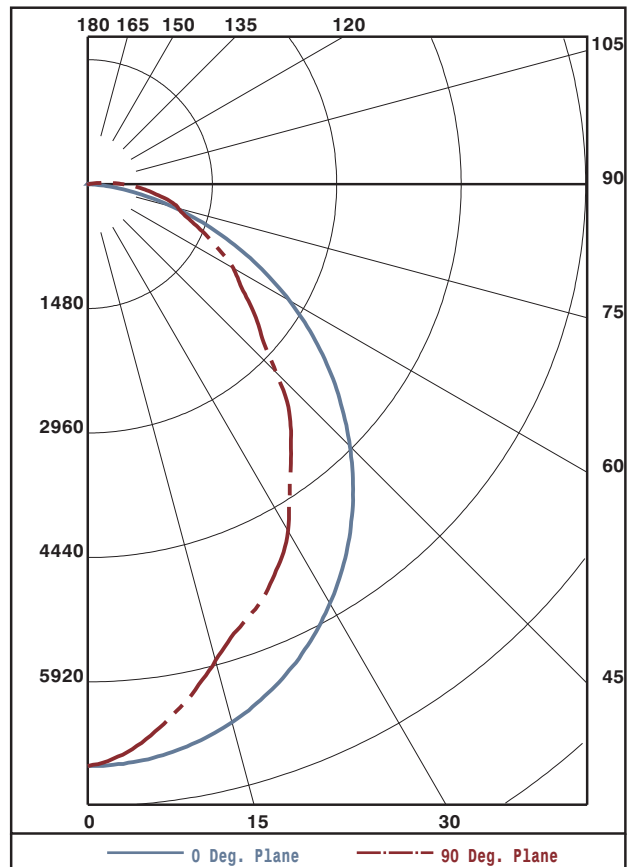


ZONAL LUMEN SUMMARY

ZONE	LUMENS	%LAMP	%FIXT
0- 30	4904	27.9	30.3
0- 40	7781	44.2	48.1
0- 60	12861	73.1	79.5
0- 90	16079	91.4	99.3
90-120	105	0.6	0.6
90-130	106	0.6	0.7
90-150	108	0.6	0.7
90-180	108	0.6	0.7
0-180	16187	92.0	100.0

TOTAL LUMINAIRE EFFICIENCY: 92.0%

CIE TYPE: DIRECT
PLANE: 0-DEG 90-DEG
SPACING CRITERIA: 1.2 1.0



TESTED BY HERSCHEL SCHRECK
CHECKED BY MIKE GRATHER



LUMINAIRE TESTING LABORATORY, INC.

SUSTAINING MEMBER of the IESNA

905 Harrison Street · Allentown, PA 18103 · 610-770-1044 · Fax 610-770-8912 · www.LuminaireTesting.com

LTL NUMBER: 08671

DATE: 01-31-2005

PREPARED FOR: LIGHTWINGS

COEFFICIENTS OF UTILIZATION - ZONAL CAVITY METHOD
EFFECTIVE FLOOR CAVITY REFLECTANCE 0.20

Table with 10 rows (RC 0-10) and 10 columns (RW 70, 50, 30, 10) for each of the four cavity reflectance values (80, 70, 50, 30, 10, 0).

PLANE: 0-DEG 90-DEG
LUMINOUS LENGTH: 45.000 12.500
HEIGHT OF SIDE: 2.250 1.500

Table with 4 columns: ANGLE IN DEG, AVERAGE 0-DEG, AVERAGE 45-DEG, AVERAGE 90-DEG. Rows for angles 0, 45, 55, 65, 75, 85.



LUMINAIRE TESTING LABORATORY, INC.

SUSTAINING MEMBER of the IESNA

905 Harrison Street · Allentown, PA 18103 · 610-770-1044 · Fax 610-770-8912 · www.LuminaireTesting.com

LTL NUMBER: 08671
PREPARED FOR: LIGHTWINGS

DATE: 01-31-2005

CANDELA DISTRIBUTION

Table with 6 columns representing candela values at various angles (0.0, 22.5, 45.0, 67.5, 90.0) for angles from 0 to 180 degrees.

ZONAL LUMEN SUMMARY

Table with 2 columns representing lumen values for various zones (0-5, 5-10, etc.) up to 175-180 degrees.

THIS TEST WAS CONDUCTED USING RELATIVE PHOTOMETRY TECHNIQUES ACCORDING TO STANDARD IESNA PROCEDURES. THE USER MUST THEREFORE USE CAUTION IN THE FOLLOWING SITUATIONS: 1) THIS TEST WAS PERFORMED USING A SPECIFIC BALLAST/LAMP COMBINATION. EXTRAPOLATION OF THESE DATA FOR OTHER BALLAST/LAMP COMBINATIONS MAY PRODUCE ERRONEOUS RESULTS. 2) ACCORDING TO IESNA PROCEDURES, THE BALLAST(S) AND LAMP(S) ARE PRESUMED TO PRODUCE 100% OF RATED OUTPUT. AN APPROPRIATE BALLAST FACTOR MUST BE APPLIED TO THE LUMEN OUTPUT RATINGS AND LUMINOUS INTENSITY VALUES GIVEN. 3) THIS TEST WAS CONDUCTED IN A CONTROLLED LABORATORY ENVIRONMENT WHERE THE AMBIENT TEMPERATURE WAS HELD AT 25°C ±1°C. FIELD PERFORMANCE MAY DIFFER PARTICULARLY IN REGARDS TO CHANGE IN LUMINOUS OUTPUT AS A RESULT OF DIFFERENCE IN AMBIENT TEMPERATURE AND METHOD OF MOUNTING THE LUMINAIRE.